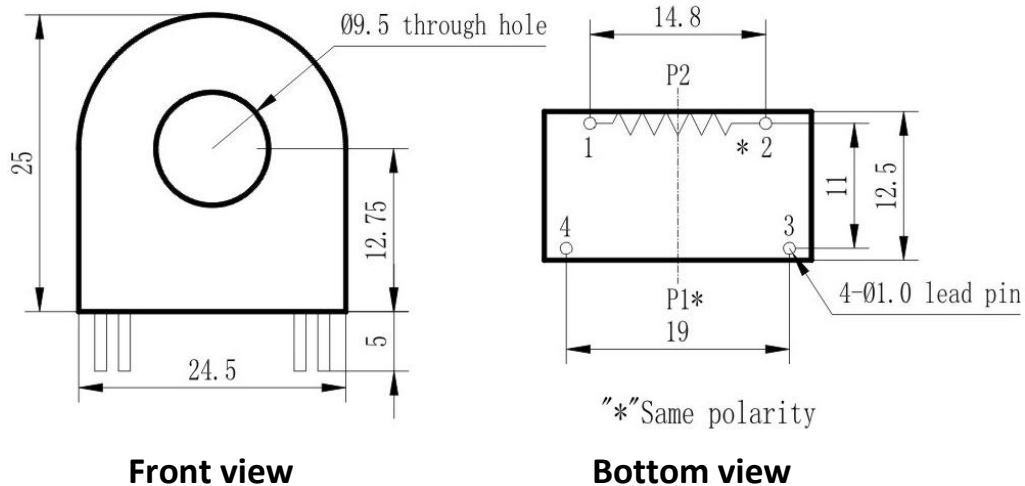


ZMCT123 current transformer

Small size, high accuracy, good consistency, for power measurement and protection

Structural parameter:



The main technical parameter:

Model	ZMCT123
input current	0~100A (sampling resistor 20Ω)
Rated output current	2.5mA at input 5A
turns ratio	2000:1
phase angle error	≤60' (input 10A, sampling resistor 20Ω)
linearity	≤0.2%(5%~120%)
Accuracy class	0.5
isolation voltage	4500V
application	measurement or protection
Encapsulation	Epoxy
installation	PCB mounting
operating temperature	-40°C~+85°C

Direction for use:

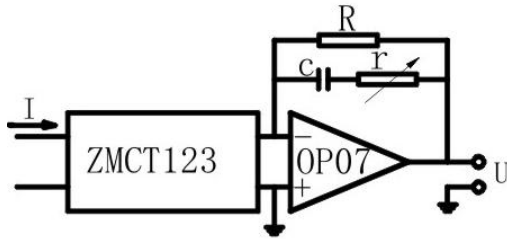


Figure I



$$U = \frac{I}{2000} \cdot R$$

I: input current
R: sampling resistor
U: sampling voltage

Figure II

1. The typical usage of the product is for the active output (Figure I). R is a sampling resistor, c and r is used for phase compensation
2. The product can be directly through the resistance sampling, easy to use (Figure II)
3. The instructions are for reference only, specific parameter is subject to specifications (acknowledgment)