

Approval Sheets

Approved by

Item : 100A DC immune CT
(without shielding shell)

Model No.: ZMDCT21

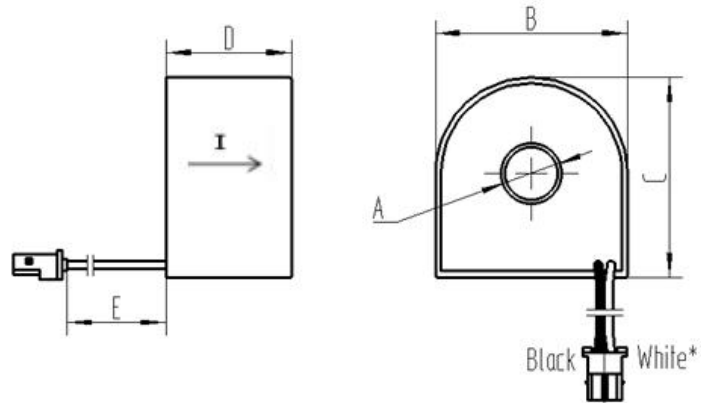
Drawn by	Check by	Approved by
		<u><i>Signed</i></u>

1. Specification

Characteristics	Values
Operating frequency	50 Hz ~ 400 Hz
Operating temperature	-40°C ~ 85°C
Relative humidity	≤95%
Rated primary current I_p	100A
Maximum primary operating current I_{max}	120A
Testing current for DC component 120A/Root 2	<3%
Rated second current	40mA
Transformation ratio	2500:1
User supplied burden resistor	10Ω
HI-POT (center OD hold to leadwire)	3000Vrms, 1min.
Insulation resistance	>500MΩ/500Vdc
Accuracy class	0.1class

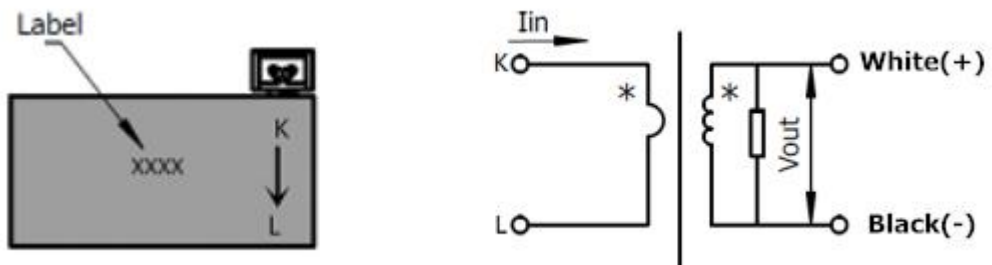
Accuracy class	With the percentage(%)of I_p			
	5	20	100	120
Ratio Error (±%)	0.4	0.2	0.1	0.1
Phase Displacement(±')	15	8	5	5

2. Dimension



size	A	B	C	D	E
mm	φ12	34.5	35.5	17.5	100±5

3. Structure and Size



Current direction:

"*" Means same polarity

Primary current is from K to L, secondary current is from white wire to black wire

4. Material List:

No.	Material	Spec. model	UL code	Manufacturer
1	Inner core	Nano-crystalline core	/	ZEMING
2	Outer core	Amorphous core	/	ZEMING
3	Core shell	PBT	E238981	QINGDAO QINKE ENGINEERING PLASTICS CO LTD
4	Winding	0.13mm, 2500T	E258243	ELEKTRISOLA HANGZHOU CO LTD
5	Epoxy resin	TXH-9201-10 epoxy resin insulating compound	E196959	TIANJIN XINQIAO INSULATING MATERIAL CO LTD
6	Leading wire	UL1007, 26AWG, Black&White	E315651	ZHEJIANG CHENGBAO WIRE & CABLE CO LTD
7	Case	Black	E238981	QINGDAO QINKE ENGINEERING PLASTICS CO LTD
8	Connector	Molex 5264-2P	/	Shenzhen Pinshang Electronic
9	Tape	Flame retardant, Environmental protection	E165111	JINGJIANG YAHUA PRESSURE SENSITIVE GLUE CO LTD