

# Shandong YUANXING Electronics Co., Ltd.

## Product Specification

**Description:** Split Core Current Transformer

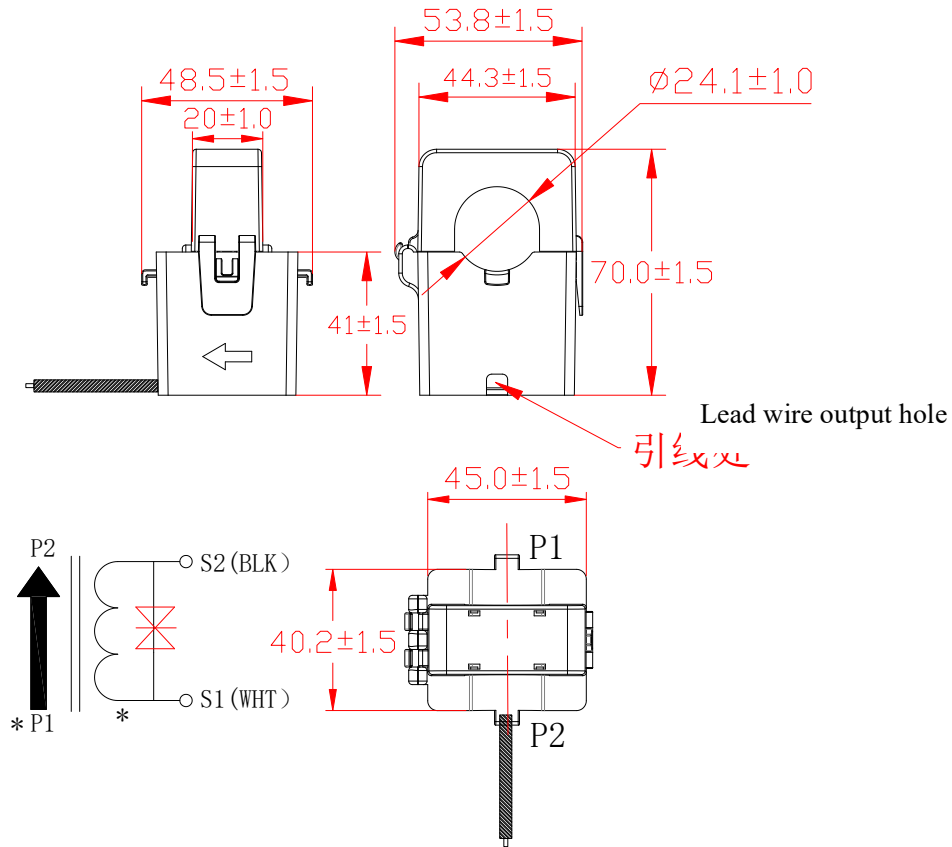
**Part No.:** CTSA024-200A/66.7mA

**Date:** 2017-07-18

**1. Technical Parameters:**

Working Environment	Environment Temperature	-10℃~+50℃	Storage Temperature	-20℃~+70℃
	Relative Humidity	≤95%	Atmospheric Pressure Condition	70-106kpa
Electrical Parameters	Rated Primary Current	200A	Ratio Error at Rated Primary	±0.5%
	Rated Secondary Output	66.7mA	Phase Error at Rated Primary	≤45'
	Maximum Primary Current	220A continuous	Secondary Burden	≤10Ω
	Same Polarity	P1 and white lead wire	Working Frequency	50--400HZ
	Power Frequency Withstand Voltage	4000V/10s, 1mA	Insulation Resistance	100MΩ/500VDC
	Open Circuit Protective Voltage	6-8V	Environmental Protection	RoHS compliant
	Linearity	0.5L(5A~220A)		
	Case Material	White or black, UL flame retardant rating 94-V0		
	Secondary Output Cable	AWM1015 22AWG white/black twisted pair lead wires, length is 2m		

**Outline Drawings, Schematic, Polarity Definition: (mm)**



**Product marking is laser engraved at the bottom, as below example.**



### ***User Instructions:***

Note: All work should be performed by a qualified electrician and use proper safety equipment.

1. Before connect CT to other equipment, please power off the circuit to prevent electric shock.
2. Open CT. One side has a small clasp and the other side is hinged. (See Photo 1)
3. Clip CT around the cable to be measured. Make sure the maximum current of cable does not exceed CT's rating value as indicated on the label of CT and the current direction is same as the arrow direction marked on CT.
4. Clip on the CT. You will hear it click. The cable should be in the middle of CT window. (See Photo 2)
5. Fix the CT on the cable with nylon cable ties. (See photo 3)
6. Connect the white output lead wire of CT to the positive terminal of measuring device. Connect the black output lead wire of CT to the negative terminal of measuring device. (See Photo 4)
7. Check and make sure there is no problem of the circuit, and put on the power, start measurement with CT.

